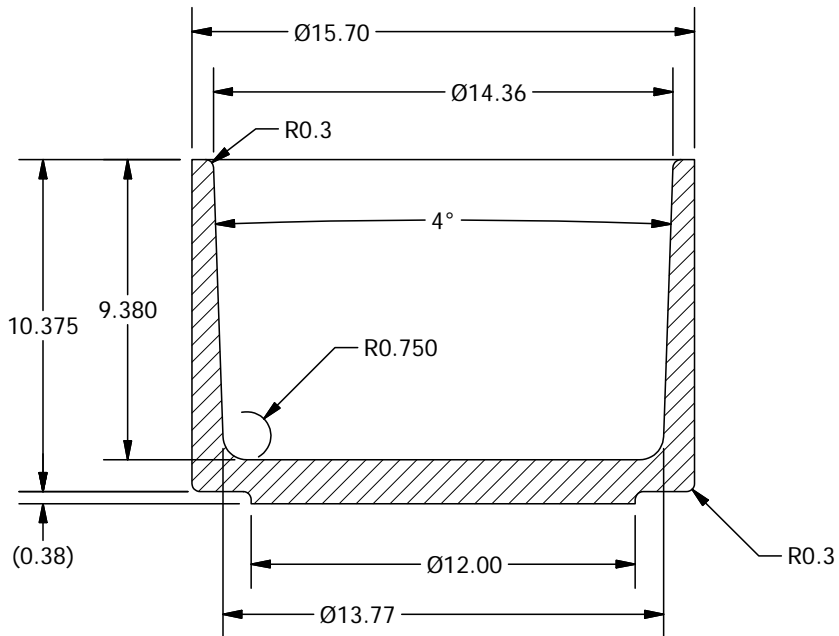
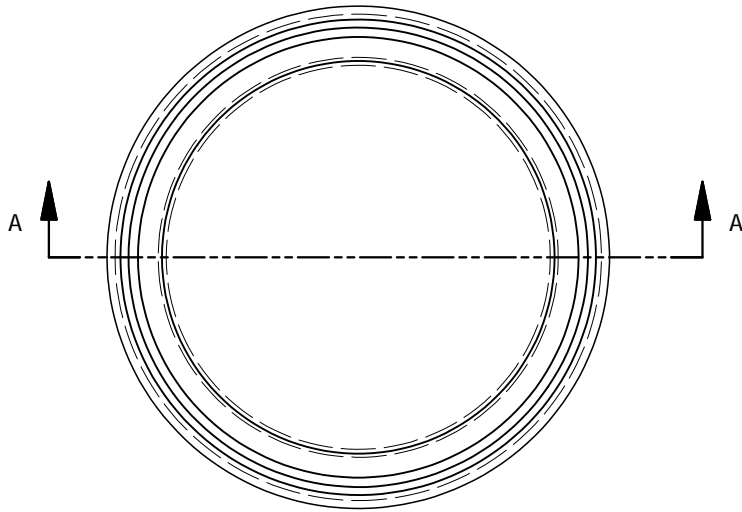


2

1

NOTES:

1) SOLID MODELS AVAILABLE ON REQUEST.



TOLERANCE U.O.S

.XXXX ± 0.0005"
 .XXX ± 0.005"
 .XX ± 0.01"
 .X ± 0.1"
 ANGLE ± 1'



4941 ALLISON ST. UNIT #16
 ARVADA, CO 80002
 303-431-7798

TITLE CS-400-250-MFH57

REV.

0	PRODUCTION RELEASE	8/19/2011	
REV	DESCRIPTION	DATE	APPROVED

DRAWING NO	CS-400-250-MFH57-1	COATING (NONE)	SHEET 1 OF 1
MATL	MFH-57	FINISH AS CAST	RMS

0

FILE: Z:\Engineering\Part Drawings\CS-400-250-MFH57-1.idw

8/19/2011

REVISION HISTORY

2

1